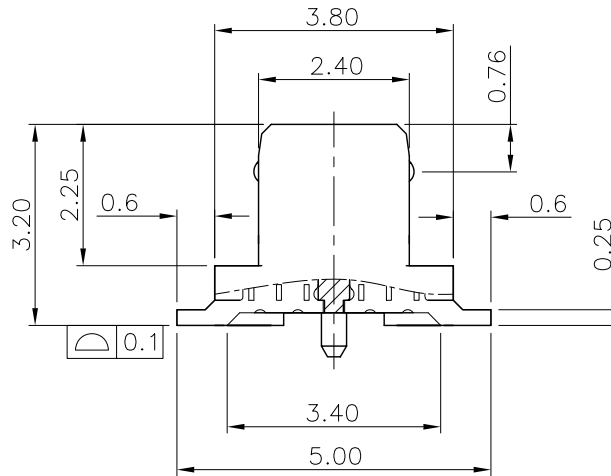
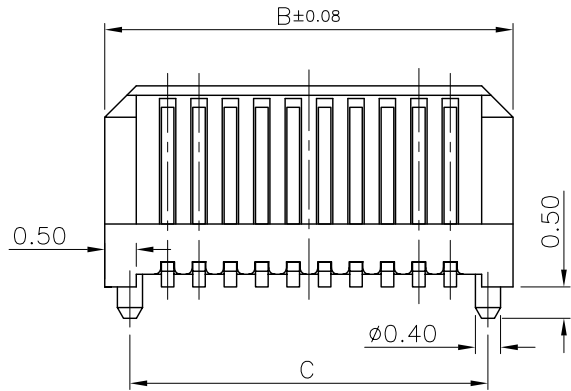


RECOMMENDED PCB LAYOUT
GENERAL TOLERANCE ±0.05



NOTES:

1. MATERIAL:
 - 1.1 HOUSING: THERMOPLASTIC, HIGH TEMP., UL94V-0;
 - 1.2 CONTACT: COPPER ALLOY
2. FINISH:
 - 2.1 CONTACT: GOLD FLASH OVER ALL
50u" MIN. NICKEL UNDERPLATING OVERALL.
3. IR REFLOW CAPABLE TO 260°C
PER ACES SPEC.
4. SPEC. PLS. REFER TO PS-50150-xxxx-xxx
5. PACKAGE PLS. REFER TO 88164-XXXX-TRP
6. PART NUMBER

50029-XXX X X-XXX

NO OF CKT

XXX	Housing Color	Halogen Free
001	Black	HF

PLATING
1: GOLD FLASH OVER ALL

PACKING
0:TAPE&REEL
1:TUBE

CKT	Dim A	Dim B	Dim C
10	2.0	4.0	3.2
16	3.5	5.5	4.7
20	4.5	6.5	5.7
26	6.0	8.0	7.2
30	7.0	9.0	8.2
36	8.5	10.5	9.7
40	9.5	11.5	10.7
50	12.0	14.0	13.2
60	14.5	16.5	15.7
70	17.0	19.0	18.2
80	19.5	21.5	20.7
100	24.5	26.5	25.7
120	29.5	31.5	30.7
160	39.5	41.5	40.7

一般公差 TOLERANCES X ±0.5 .XX ±0.15 X ±0.25 .XXX ±0.1 ANGLES ±2°		宏致電子股份有限公司 Aces Electronics Co.,Ltd.	
檢驗尺寸標示 SYMBOLS INDICATE CLASSIFICATION DIMENSION MARK IS CRITICAL DIM. MARK IS MAJOR DIM.	品名 (TITLE) 0.5mm BTB D/R RCPT SMT S/T TYPE 圖號 (DWG.NO) 50029-XXXXX-XXX	製圖 (DR) 17/06/17 JUGG 審核 (CHKD) BRAVE 核准 (APPD) FRANK	張數 (SHEET) 1 OF 1 SIZE A4 REV B
表面處理 (FINISH)	比例 (SCALE) 單位 (UNITS) 10:1 mm		